



**Sales Outsource  
Solutions**



**Solutions For Electrical Enclosures,  
Underground Vaults, & Trenching**



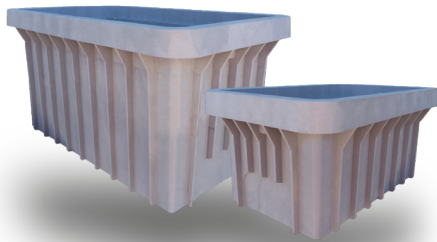


## Oldcastle Polymer

- Polymer concrete enclosures deliver strength and durability at a fraction of the weight of concrete. These enclosures provide medium to heavy duty solutions in a wide range of sizes and configurations to meet your application needs.

## Christy®

- Concrete enclosures deliver reliable, cost-effective performance in a wide range of standard sizes, making it the preferred choice for many non-deliberate and deliberate traffic applications.



## Duralite®

- Composite enclosures are manufactured with an intelligent mix of composite materials to provide unexpected tier 15 and tier 22 rating performance in the lightweight enclosure category. Duralite is more than 50% lighter than polymer concrete.

## Carson®

- High-Density Polyethelene (HDPE) enclosures deliver reliable, chemical and water resistant performance and install with ease. Available in a wide variety of sizes, preferred and specified by industry professionals worldwide.



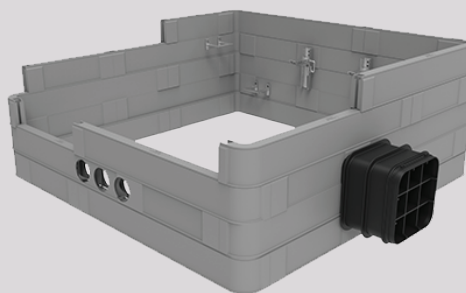
## Oldcastle FRP



- Oldcastle FRP enclosures are produced in a unique hybrid process bonding strong, polymer concrete rings with high-impact resistant fiberglass sidewalls, forming a monolithic body. Paired with polymer concrete lid, select units are suitable for light or heavy incidental traffic. Specifiers can meet expected load ratings while installers can handle and modify with ease.

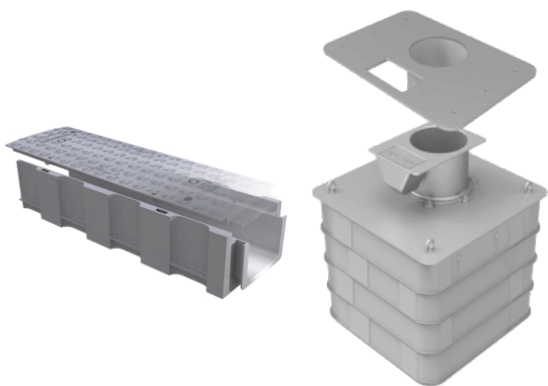
## Stakkabox™ Modular Vault System

- STAKKAbOX™ offers a flexible access chamber system without compromising on strength. Due to its design the chamber can be used anywhere where side wall loading is a concern.



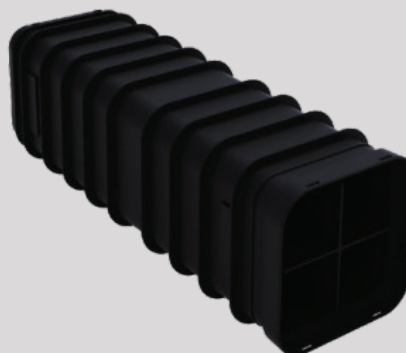
## EV Charger Bases & Wire Routing

- Used as an alternative to pouring concrete slabs, Oldcastle EV bases are as strong and durable as concrete but maintains minimal damage to the property and reduced installation time.



## MultiDuct™ Duct Bank Alternative

- MULTIduct™ is an innovative, lightweight and structural multiple duct cable protection system offering a modern alternative to traditional cable ducting systems.



# Industry-Leading Vault Solutions for Electrical Connectivity & Safety

Sales Outsource Solutions aligns with the best manufacturers in the industry to provide safe and durable enclosure solutions across Canada. Oldcastle Infrastructure is an industry leader in concrete, polymer, and composite vaults for communications, electrical and the utility markets. Reach out to the Sales Outsource Solutions team today to help specify your next project or reduce labour with innovative vault solutions.



**Sales Outsource  
Solutions**

Sales Outsource Solutions is a manufacturers agent with coast-to-coast coverage serving the electrical, datacom, utility, and telecommunications markets.

learn more: [www.salesoutsourcesolutions.com](http://www.salesoutsourcesolutions.com)